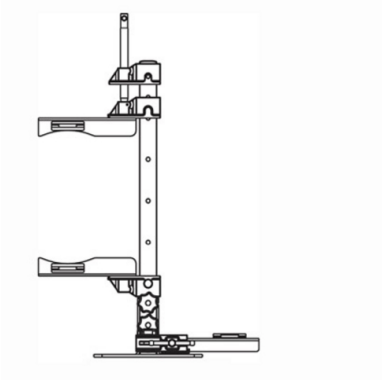


Tools

to open the cable entries / more



Stripping tools



Universal installation bracket

DESCRIPTION

Stripping tools to open type R, type B and type S cable entries/ports in the base of the dome closure.

Saw to open type L, LM and T cable entries/ports (and other).

Dome/cover release tools.

Universal installation bracket, horizontal and vertical adjustable.

VERSIONS

Article No.	Product	PU	Closures
345021	R-port opening tool (from inside)	1 pc.	UFC-FDN-FML-FST13
345022	B-port opening tool (from inside)	1 pc.	UFC-FDN-FML-FST13
345023	S-port opening tool (from inside)	1 pc.	UFC-FDN-FML-FST13
345013	R-port opening tool (from outside)	1 pc.	FST4-FRBU
345014	B-port opening tool (from outside)	1 pc.	FST4-FRBU
345997	S-port opening tool (from outside)	1 pc.	FST4-FRBU
345149	Kit with all port opening tools (without saw)	1 set	all
345024	Saw for opening L, LM and T-ports (and other)	1 pc.	all
345309	Dome/cover release tools (set = 2 pcs)	1 set	FST-FRBU
345100	Universal installation bracket, adjustable	1 pc.	all